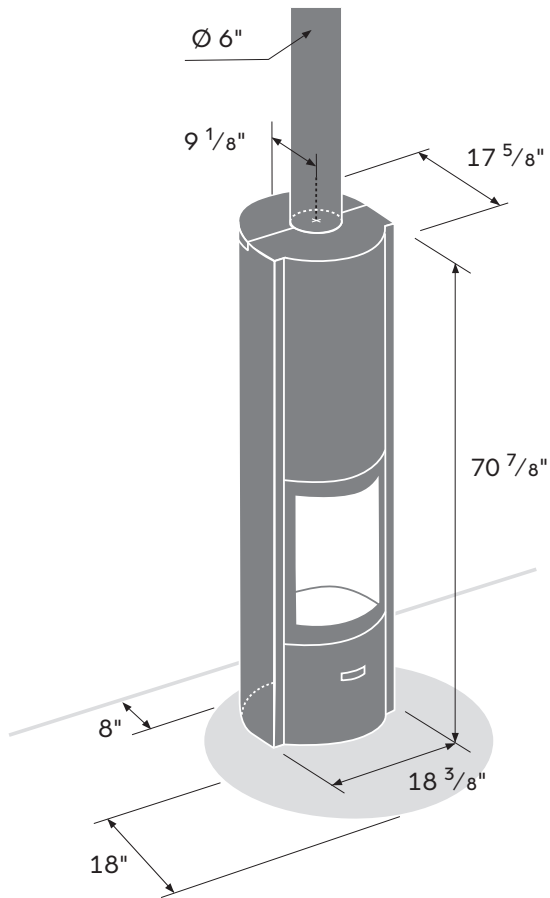


Stûv 30-compact H

Technical sheet

stûv
AMERICA



ADVANTAGES

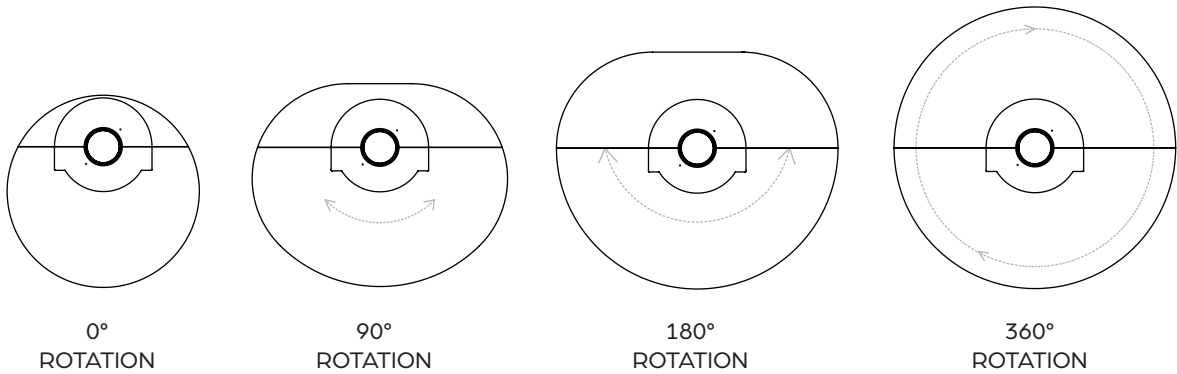
- 3 operation modes
 - 360° rotation
 -
- Ash pan integrated into the base of the unit
 -
- Easy to light
 -
- Generates little ash
 -
- Can be connected to outside air
 -
- Low fine particle emission rate
 -
- Suitable for all types of interiors
 -
- Priority of the view of the fire
 -
- Energy saving
 -
- No more firewood recutting
 -
- Easy to clean



Size	30-compact H
Max. vertical log length	16"
Max. horizontal log length	10"
Efficiency	74%
Maximum power (BTU)	31 000
Heating surface area	900 ft ²
Firebox size	1.1 ft ³
Fine particle emissions	1.82 g/h
Weight	340 lb (+330 lb)
Outside air duct	Ø 4"
Door	standard 3 doors
Revolving base 360°	standard 360°

FLOOR PLATE

POSSIBILITY OF 4 OPTIONS



Stûv 30-compact H

Rotation	0°	90°	180°	360°
Size	ø 36"	ø 48" x 38 1/2"	ø 52 7/8" x 44 1/2"	ø 52 7/8"

Note: The floor plates have a thickness of 14 GA.

AVAILABLE COLOR



StûvGrey