

**PB 145-45 (B-100)**

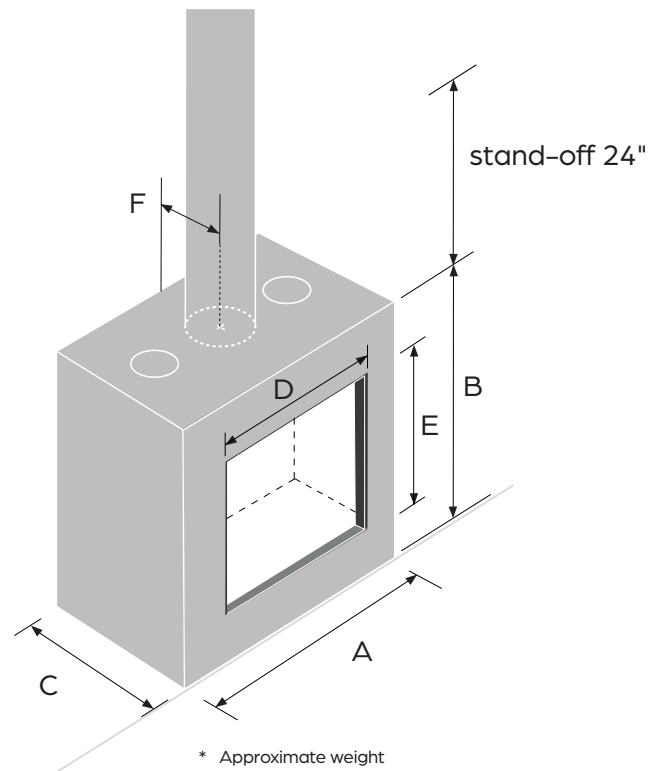
W	57 5/8"
H	17"

## ADVANTAGES

- Two burners
- 
- Set of hyper-realistic logs
- 
- Multi-program remote control
- 
- Invisible safety screen
- 
- Efficient heating
- 
- Minimalist design
- 
- Easy to use
- 
- Energy saving



Size	B-100
Efficiency Energuide (NG   LPG)	66.2%   67.2%
Maximum power (BTU)	1 burner 28 200 2 burners 47 000
Minimum power. (BTU)	1 burner 16 450 2 burners 28 200
Heating surface area	1 350 ft <sup>2</sup>
Weight*	320 lb
Direct vent	5/8
Valve and regulator	Maxitrol
Convection system	standard
A - Width**	58 1/16"
B - Height	27 1/8"
C - Depth**	20 5/16"
D - Opening width	39 1/4"
E - Opening height	13 9/16"
F - Chimney position*	9 15/16"



\* Approximate weight

\*\* Dimensions including stand-off