

### PB 175-75 (B-100 H)

W	67 7/8"
H	29 1/4"

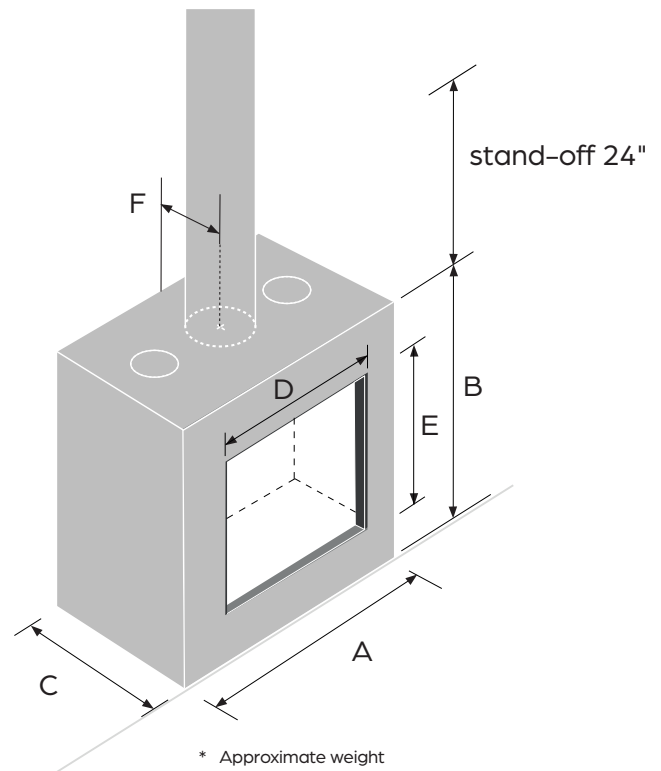
## ADVANTAGES

- Two burners
- 
- Set of hyper-realistic logs
- 
- Multi-program remote control
- 
- Invisible safety screen
- 
- Efficient heating
- 
- Minimalist design
- 
- Easy to use
- 
- Energy saving



### Size **B-100 H**

Efficiency Energuide (NG   LPG)	65.2%   66%
Maximum power (BTU)	1 burner 30 000 2 burners 50 000
Minimum power. (BTU)	1 burner 17 500 2 burners 30 000
Heating surface area	1 450 ft <sup>2</sup>
Weight*	485 lb
Direct vent	5/8
Valve and regulator	Maxitrol
Convection system	standard
A - Width**	58 1/16"
B - Height	44 7/16"
C - Depth**	21"
D - Opening width	39 1/4"
E - Opening height	25 7/8"
F - Chimney position*	10 5/8"



\* Approximate weight

\*\* Dimensions including stand-off